

Three-phase asynchronous machines, modular design  
up to 25,000 kW

## Asynchronous machines

...compact modular designs up to 25,000 kW!

Schorch design and construct modular design machines up to the highest practicable outputs. They are used in a vast variety of applications in industry or otherwise.

Customer consultation, planning, design and construction, based on more than 125 years' experience in the manufacture of electrical machines, are characteristic for our ability and product quality.

Specific variants, with electrical and mechanical modifications, are the result of decades of close co-operation with leading manufacturers of driving and driven machines.

If there is a drive problem, consult us.



Piston-type gas compressor, driven by a converter-fed motor, 1,900 kW, 2 x 920 V, 14 poles, IP55 with top-mounted water/air heat exchanger IM B3



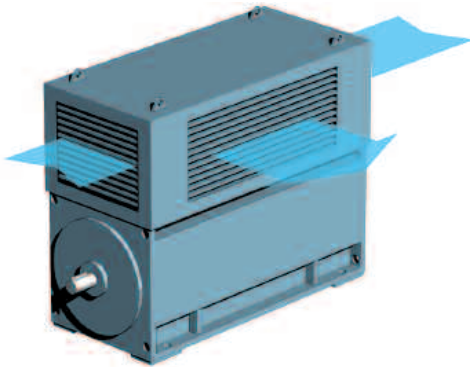
Piston-type gas compressor in an oil refinery, 3,500 kW, 6 kV, 18 poles, non sparking Ex nA II, IP55 with top mounted tube-type air/air heat exchanger, IM 1205

- To relevant standards IEC, VDE, DIN, ISO, EN
- With squirrel-cage or slipring rotor
- Degrees of protection: IP23, IP24W, IP55
- Types of protection Exe and Exp to EN 60079
- 'Non sparking' to EN 60079-15
- Rated voltages from 2 to 15 kV

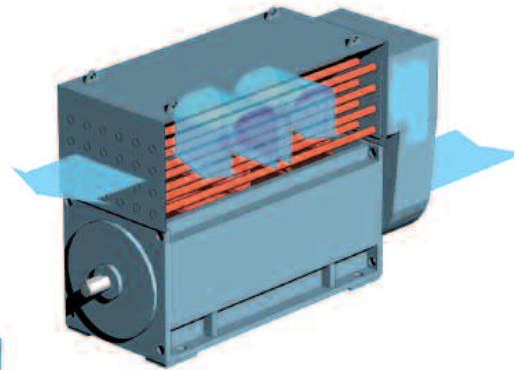
- Rated frequency 50 or 60 Hz
- Converter-fed or connected to the system
- Construction IM B3 and IM V1 (others on request)
- Number of poles  $2p=2$  to  $2p=20$  (higher number of poles on request)
- Designs can be modified to meet customer's specification
- Motors can be designed for voltages  $< 1,000$  V or for converter operation

## Modular design

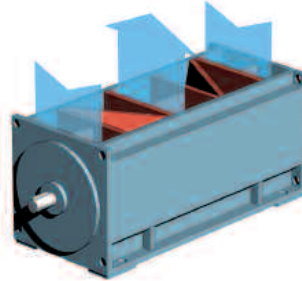
The design is based on a standard frame to which components can be added, as required. Thus, machines can be adapted to almost any application requirements. By means of computer-assisted design techniques, the best power-to-weight ratio is determined and components are optimized.



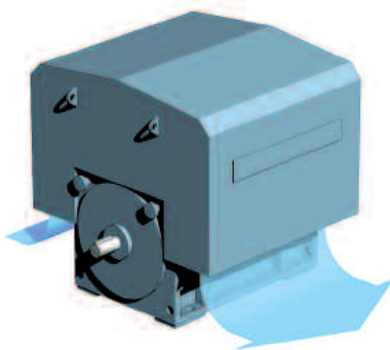
Internally ventilated, with top-mounted air guide cover, IP23, IC01, for outputs up to 7,000 kW



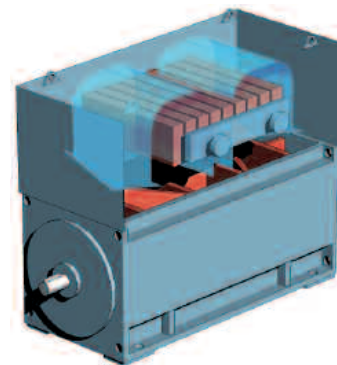
Top-mounted air/air tube-type heat exchanger, IP55, IC611, for outputs up to 17,000 kW



Standard frame



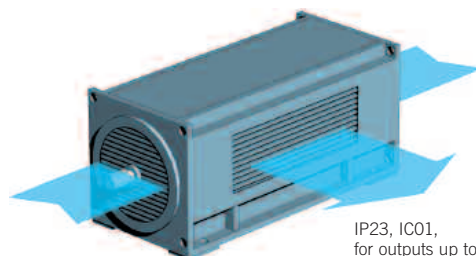
Internally ventilated, with top-mounted weather protection hood, IP24W, IC01, for outputs up to 15,000 kW



Top-mounted water/air heat exchanger, IP55, IC81W, for outputs up to 25,000 kW

## Compact design

Space-saving motor design, e.g. for encapsulated units



IP23, IC01, for outputs up to 1,500 kW

# Frame and Corrosion protection

## Frame

The frame is a compact, torsionally rigid and vibration-resistant fabricated construction. It consists basically of the end plates and several intermediate rings, connected by axial bars and tubes and, with horizontal machines, the motor feet. Forces, acting on the bearings, are transmitted directly into the substructure via the end-shields. The entire construction is enclosed by a smooth sheet steel mantle.

Slipring motors have a separate slipring housing.



Sandblasting



F.15009

## Corrosion protection

Schorch paint systems are well tried and tested. They do not contain any lead, heavy metals or silicone.

Where operating and site conditions are stated in the order, we can provide a corrosion protection which we can guarantee for two years.

Prior to painting, all surfaces are thoroughly sand-blasted. With basic-design machines, the paint system consists of a coat of primer, an intermediate and a finishing coat; standard shade is RAL 7031.

This paint system is suitable for both indoor and outdoor installation, including industrial and sea atmospheres. It is resistant to light, and to temperatures from -40 °C to + 120 °C (for short periods up to 180 °C), non-porous, and resistant to shock and wear.

For specific operating and site conditions, special paint systems are available.



The type of bearings to be used is determined by the construction, the speed, the output and any additional loads of the motor. Depending on these parameters or the customer's specification, antifriction or sleeve bearings are provided.

## Anti-friction bearings

Our motors in basic design are fitted with Series 2 or 3 antifriction bearings.

IM B3 motors in basic design are provided at the D-end with a grooved ball bearing (locating) and the N-end with a pre-loaded grooved ball bearing (non locating).

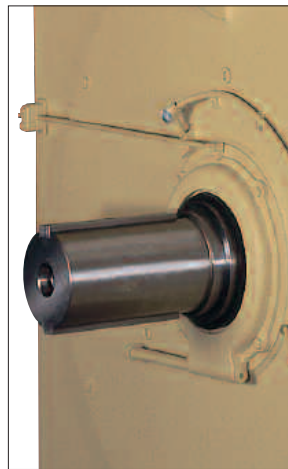
**For particularly high radial loads, all motors can in addition be provided with cylindrical roller bearing at the D-end.**

As shaft seals, felt rings are provided on the motor side of the bearing and V-rings on the outside.

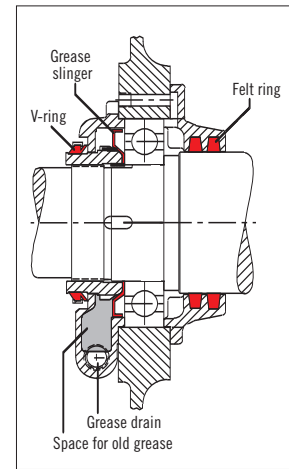
**Shaft seals are maintenance free and provide protection against dirt and spray water in accordance with degree of protection IP55.**

Lubricators and grease slingers ensure proper lubrication of the bearings.

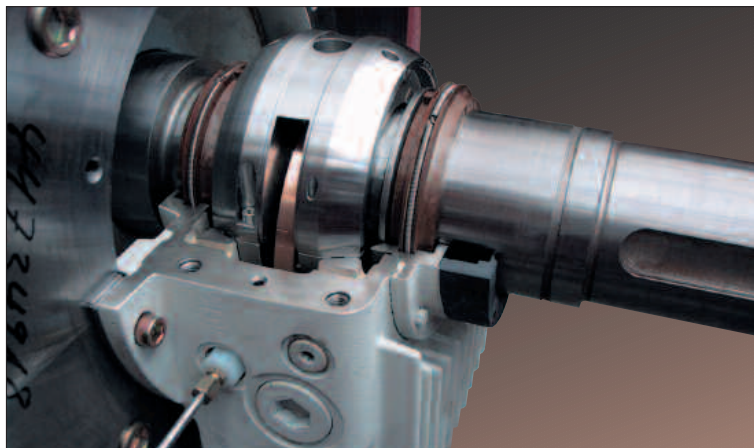
The outer bearing covers are provided with a space for old grease and a grease drain.



Antifriction bearing with lubricator and grease drain



Antifriction bearing arrangement



Sleeve bearing with ring oiler

I/1137

## Sleeve bearings

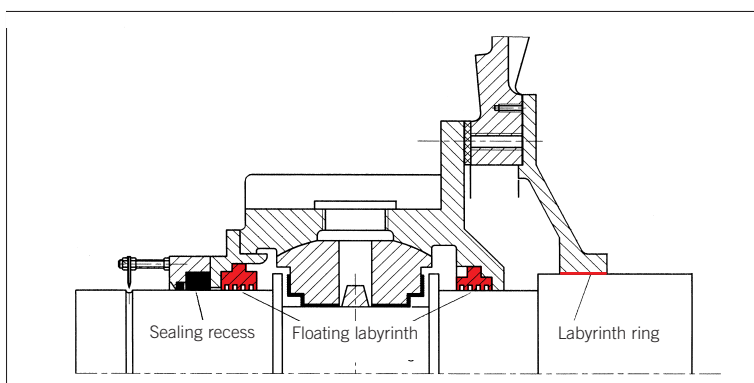
On request, all motors can be fitted with sleeve bearings. All sleeve bearings are of the split, flanged type.

**Depending on the bearing load in service, bearings with loose ring oilers (self lubrication) or with force-feed lubrication are used. Subsequent conversion from self to force-feed lubrication is possible.**

Sleeve bearings are non-locating. Shaft end float is  $\pm 3$  mm. On request, a locating bearing can be provided at the D-end.

On the bearing inside, a floating labyrinth seal and a labyrinth ring is used. The shaft seal on the bearing outside consists of a floating labyrinth and an additional seal.

**Shaft seals are maintenance-free. They protect the bearings against the ingress of dust and spray water, to degree of protection IP55.**



Shaft seals for sleeve bearings

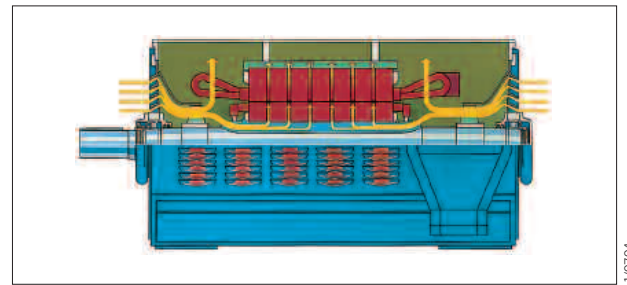
# Ventilation and noise

## Ventilation system

Machines to degree of protection IP23 and IP24W are internally ventilated, i.e. ambient air is routed through the machine. Motors with top-mounted air/air or air/water heat exchanger have a closed-circuit internal air circulating system.

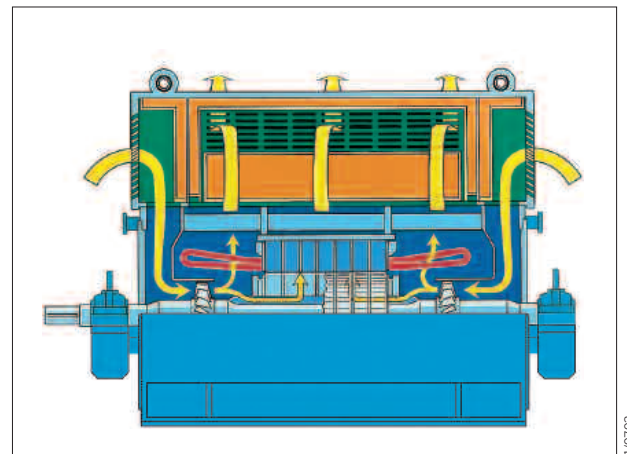
All machines are ventilated from both ends. Axial air ducts in the shaft and radial air ducts in the active part ensure a near uniform temperature distribution in the motor.

Hot spots cannot occur, and the thermal life of the winding is prolonged.



Air circulation in a compact-design motor

1/0704



Air circulation with top-mounted air guide cover

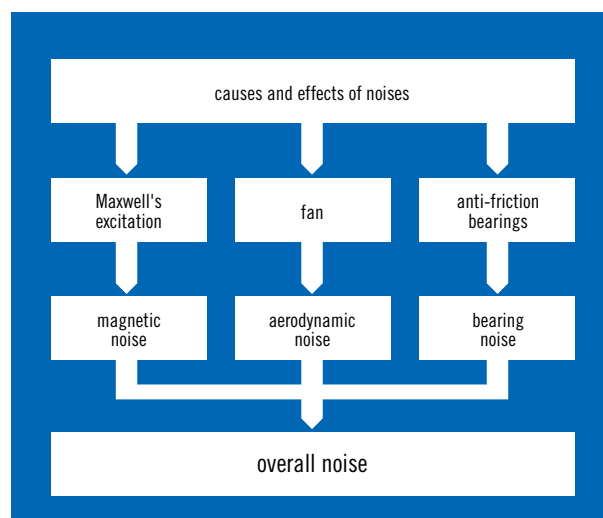
1/0703

## Noise

In view of ever more stringent regulations concerning protection of the environment and safety at work, the noise reduction of electrical machines is of particular importance.

**From the outset, i. e. already in the basic design, our machines are designed as low-noise machines. This is achieved by an interactive design of all components, such as:**

- Frame
- Ventilation System
- Electro-magnetic design
- Bearings

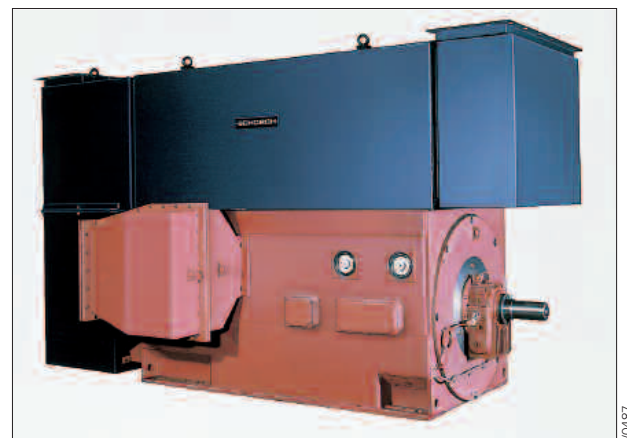


Sources of noise in electrical machines

## Noise reduction

Where extreme noise requirements are to be met, various additional measures can be taken.

Depending on the number of poles and the size of the machine, acoustically treated air guide covers or special acoustic enclosures are used.



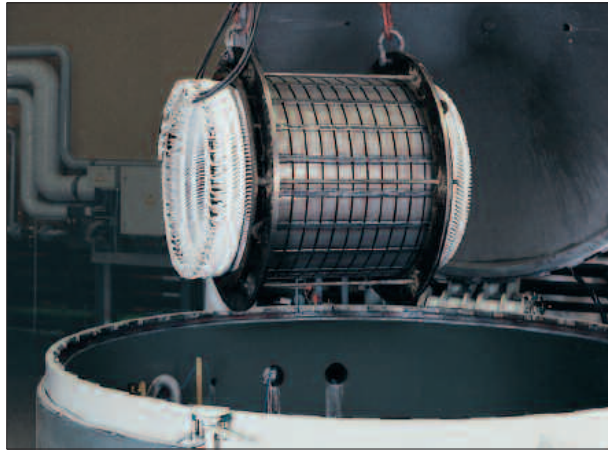
Machine with top-mounted tube-type air/air heat exchanger and flanges for the connection of air inlet and outlet ducts.

1/0487

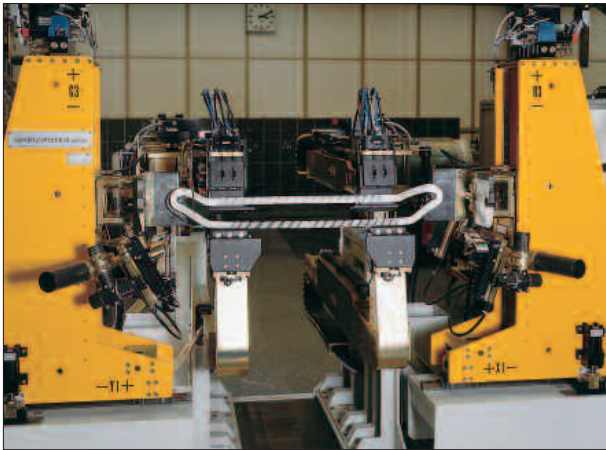
Developments in the field of insulation led in the 80's to the introduction of the V-Celastik® insulating system. This is a system using the VPI technique which corresponds to Class F.

**VPI means that the complete stator (core and windings) is impregnated with artificial resin in a vacuum/pressure process. The result is a winding with excellent thermal, electrical and mechanical properties.**

**The constantly high quality of the high-voltage insulation is ensured by the latest in manufacturing equipment.**



Wound stator prior to impregnation



Coil-spreading machine

## Impulse withstand capability

The impulse withstand level of the windings is well above the specified minimum of  $4 x U_N + 5 \text{ kV}$  so that additional protective measures against overvoltages have to be taken only in exceptional cases.

## Mechanical stability

Windings are designed to meet all mechanical stresses occurring in service. The bracing of each winding is calculated, using a special computer program developed at Hanover University.

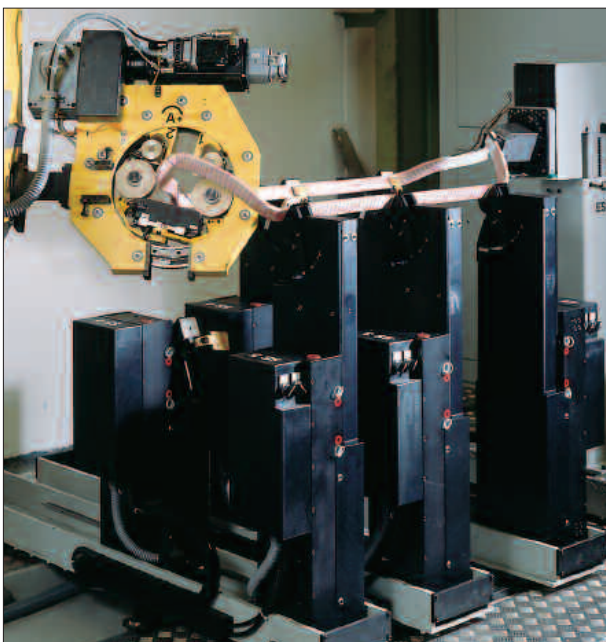
**This calculation is based on the highest stresses to be expected, e. g. reconnection against 100 % residual voltage in phase opposition.**

## Quality assurance

The manufacture of windings is, as is the entire company, subject to a certified QA system to DIN EN ISO 9001.

**Materials, manufacturing techniques and processes are continually monitored and the results recorded. Additional tests on winding elements, or complete windings, can be carried out on request.**

\* Registered Trademark



Coil-taping machine

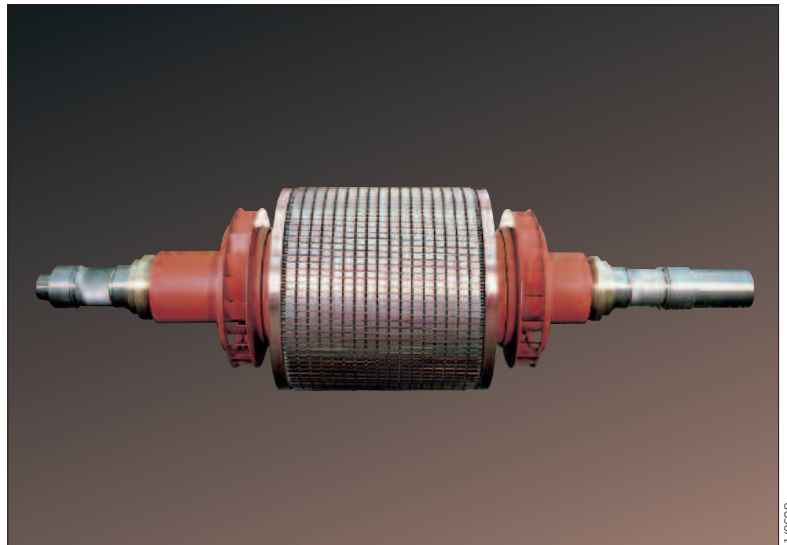
## Squirrel-cage rotor

In the basic design, the deep-bar squirrel-cage winding consists of copper bars, brazed to short-circuiting rings. Depending on rotor stresses, either butt or grooved bar-to-ring joints are used.

**The comparatively low resistance of the copper winding results in low current/heat losses and, consequently, in high efficiencies.**

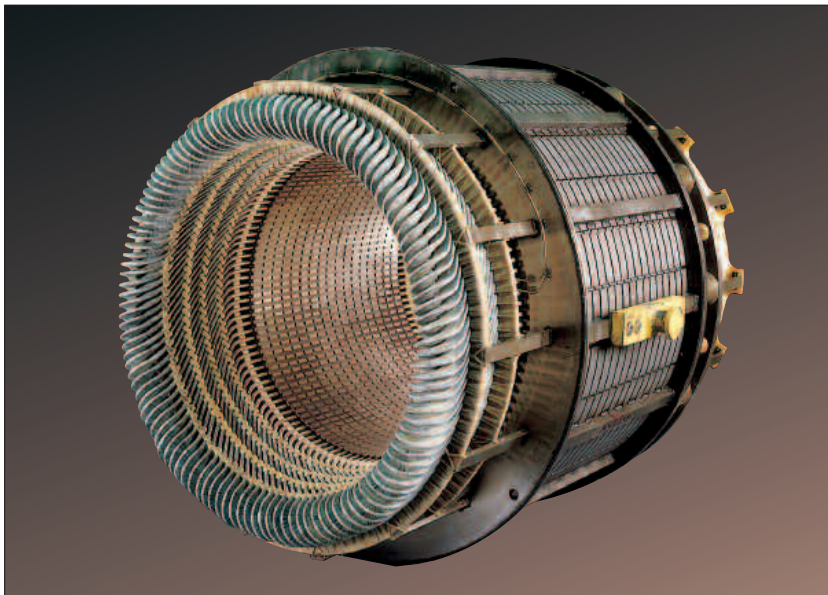
The copper bars are driven into the core slots and peened to ensure absolutely positive seating. This prevents any movement of the cage winding and makes for optimum heat transfer, essential for long acceleration or locked-rotor times.

**For higher starting torques, or to meet the requirements of particular torque characteristics, special slot designs can be used.**



Rotor with copper cage winding

1/0699



Wound stator core

1/0699

## Stator winding

The stator winding is a corded two-layer winding. It is connected in star, with the neutral being connected at the winding overhang. The three winding ends are brought out to the terminal box.

**The terminal box can be shifted subsequently from left to right or vice versa, without any problems, even at site.**

On request, all winding ends can be brought out. In that case, the neutral is formed in a separate terminal box.

## Operator protection

Terminal boxes have a high short-circuit strength (terminals) and are highly short-circuit-proof (shatterproof).

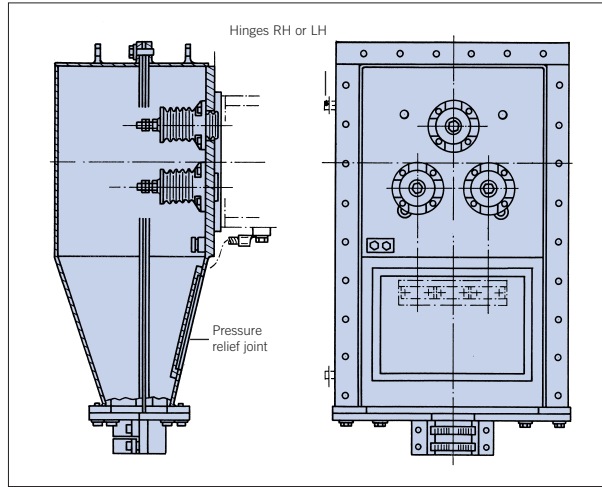
**In the event of a fault, the internal pressure is vented in one direction only. Injuries due to flying debris are prevented.**

**These properties have been verified in a neutral test laboratory in numerous internal fault tests on an infinite bus.**

## Electrical and mechanical design

Ample dimensions of the terminal boxes make for simple and safe connection of the supply cables. For the connection, either cable lugs (standard) or terminal clamps (special) are provided. Compound filled cable entries are available on request.

Terminal boxes meet the requirements of degree of protection IP55 to IEC 60529 and protection Ex ell EN 60079-7. All terminal boxes are designed for outdoor installation.



Terminal box for 10 kV and for fault levels 330 or 800 MVA. Relief joint at the rear.



Standard 6 kV terminal box with opened relief joint

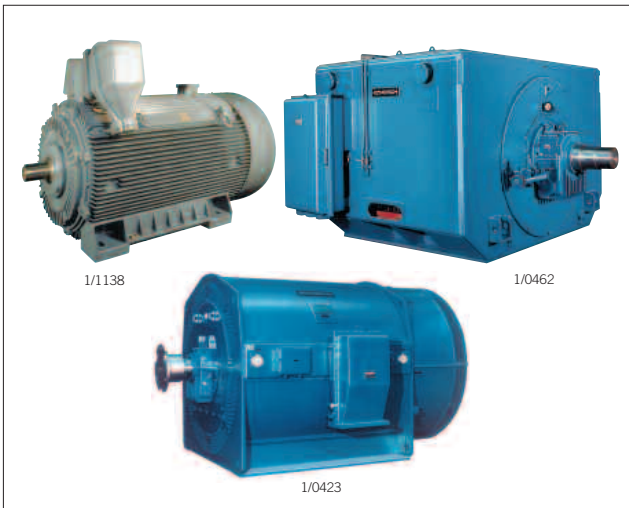


Terminal box with 6 kV cast-resin bushings

In order to ensure the highest possible degree of safety, terminal boxes are made of non-splintering material. In addition, cast-resin bushings to DIN 46264 are used, which have a high bending and torsional strength. Pressure relief joints are arranged in such a way that an internal pressure is released either upwards or towards the machine.

Depending on the supply system, tested terminal boxes for the following fault capacities are available:

**200/350/400 MVA up to 6.6 kV or 330/800 MVA up to 11 kV**



Different terminal box designs

## Minimum conductor cross-sections

In order to ensure the realisation of our safety concept, the following minimum conductor cross-sections must be observed:

System fault level	Min. cond. cross-section	
	Cu in mm <sup>2</sup> at U <sub>N</sub> =	
MVA	6kV	10kV
<200	70	70
>200-250	95	70
>250-350	150	95
>350-500	185	150
>500-800	-	185

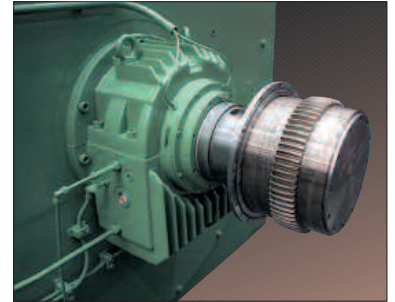
On request, terminal plates can be provided for cable connectors IP66 for up to 11 kV and up to 400 A.

# Monitoring, Design variants

## Monitoring devices

On basic-design machines, holes are provided in the bearing housings for the installation of thermal sensors. Holes for installation of vibration sensors on request.

Where the motor is covered by an overall monitoring system, sensors/monitoring devices can be provided for the continuous monitoring/indication of electrical, thermal or mechanical data.

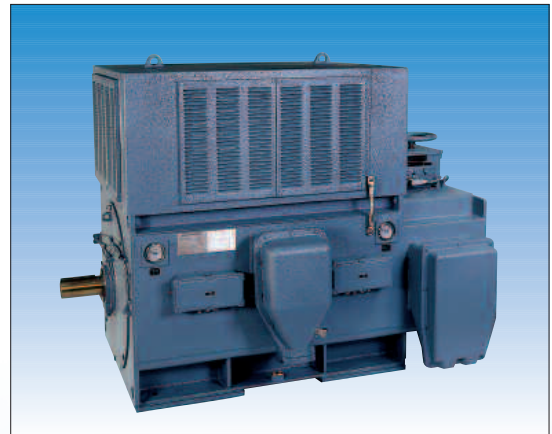


## Design variants



Piston compressor drive, motor 3,500 kW, 6 kV, 18-pole, IP55, with top-mounted tube-type air/air heat exchanger

1/1201a



Internally ventilated pump drive, motor 900 kW, 6.3 kV, 4-pole, IP23, slip-ring motor with brush-lifting and short-circuiting device

1/1167



Extruder drive, motor 9,300 kW, 11 kV, 6-pole, IP55, with top-mounted water/air heat exchanger



Internally ventilated shredder drive, motor 1,500 kW, 6 kV, 10-pole, with top-mounted weather protection cover, IP24W

1/0354



**SCHORCH**

**ATB Schorch GmbH**  
Breite Straße 131 · 41238 Mönchengladbach  
Germany  
Phone +49 2166 925-0  
Fax +49 2166 925-100  
mail@schorch.de  
www.schorch.de